

Power and Control Magnetics

DC-DC Converter Transformers

1

HIGH FREQUENCY POWER PRODUCTS

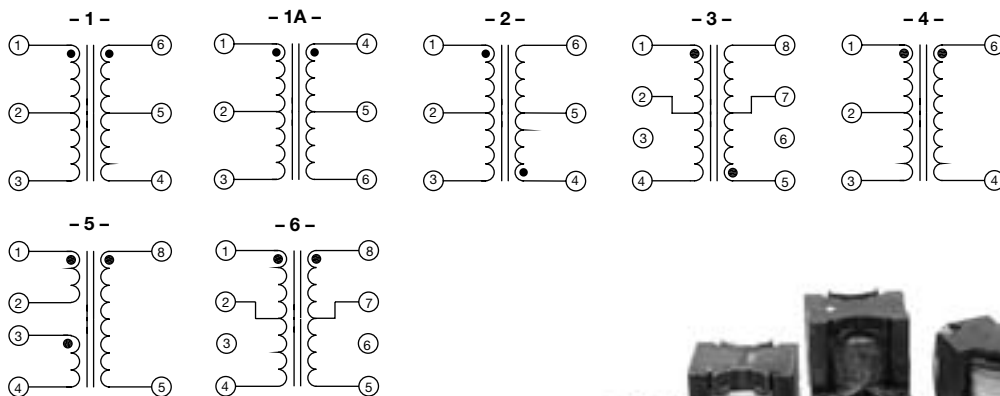
- Intended for power isolation such as data line driver circuits
- Designed for use with listed chips and chipsets
- Custom designs available in a wide wattage range with Standard Geometries.



ELECTRICAL CHARACTERISTICS @ 25° C

| BH PART NUMBER | TURNS RATIO | ISOLATION VOLTAGE | ET-V μSEC | SCHEMATIC | PACKAGE STYLE | NOTES | FOR USE W/MAXIM CHIP SET | | |
|----------------|-------------|-------------------|-----------|-----------|---------------|---------------------------|--------------------------|-----|-----|
| | | | | | | | 250/251 | 253 | 845 |
| 500-1635 | | | | | | (Replaced by 500-2580) | • | | |
| L00-1636 | 1CT:1 | 1800 | 30 | 4 | BH009 | (formerly Q6471-2) | • | | |
| 500-1658 | 1CT:1 | 3750 | 34 | 4 | BH009 | | • | | |
| L00-1749 (1) | 1CT: 1CT | 3750 | 30 | 1A | BH010 | 5V in to 5 or 10V out | • | | |
| 500-1944 | 1CT: 1CT | 2000 | 30 | 1 | BH001 | 5V in to 5 or 10V out | • | | |
| L00-2015 | 1CT: 1.3CT | 1500 | 18 | 1 | BH008 | 5V in to 5V out @ 100mA | | • | |
| 500-2017 | 1CT: 2.1CT | 1500 | 18 | 1 | BH008 | 3.3V in to 5V out @ 50mA | | • | • |
| 500-2019 | 1CT: 5CT | 1500 | 18 | 1 | BH008 | 5V in to 24V out @ 10mA | | • | • |
| L00-2045 | 1CT: 1.3CT | 500 | 18 | 1 | BH008 | 5V in to 5V out @ 200mA | | • | • |
| L00-2047 | 1CT 2.1CT | 500 | 18 | 1 | BH008 | 3.3V in to 5V out @ 100mA | | • | • |
| 500-2049 | 1CT: 5CT | 500 | 18 | 1 | BH008 | 5V in to 24V out @ 6mA | | | |
| 500-2169 | 1CT: 1CT | 3750 | 5 | 3 | BH006 | 5V in to 10V OUT | | • | • |
| L00-2327 | 1CT: 1.3CT | 3000 | 30 | 1A | BH004 | 5V in to 5V out @80mA | | • | • |
| L00-2345 (2) | 1CT: 1.25CT | 4000 | 18 | 6 | BH054 | | | • | • |
| 500-2451 | 1CT: 1.3CT | 3750 | 18 | 1 | BH008 (3) | 5V in to 5V out @80mA | | • | • |
| 500-2580 | 1CT: 1 | 2000 | 100 | 5 | BH011 | | • | | |
| 500-2582 | 1:1:1.3 | 2000 | 100 | 5 | BH011 | | | • | |
| L00-2583 | 1CT: 1.3CT | 2000 | 30 | 1 | BH001 | | | • | |

Note: Part numbers beginning with "L" are RoHS compliant. (1) Recognized UL 1950 file #E147744. (2) Recognized UL 2601 file #E147744. (3) 0.275 max. height.



Standard Geometries

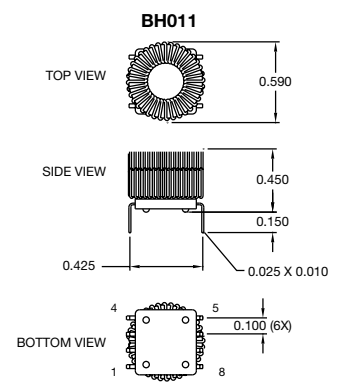
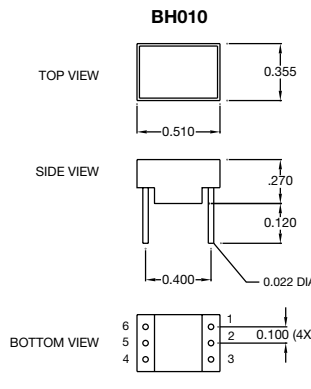
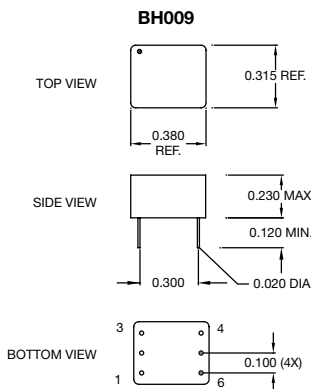
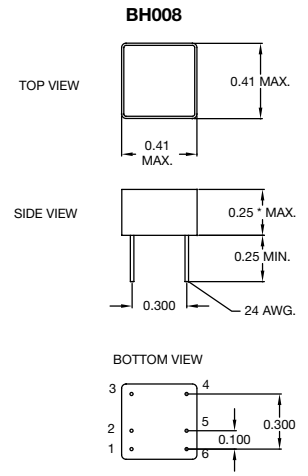
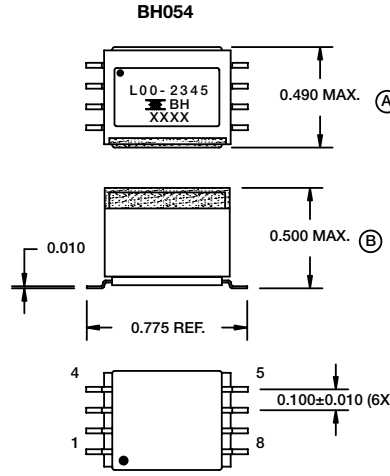
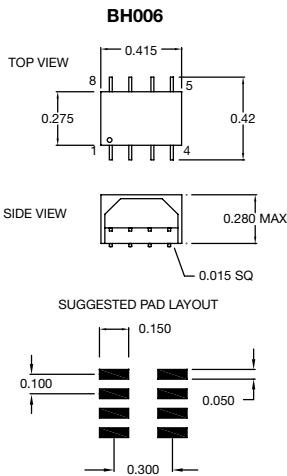
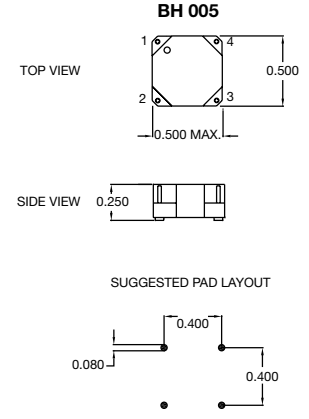
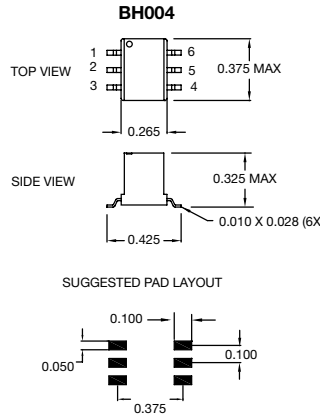
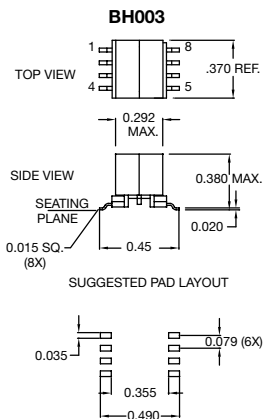
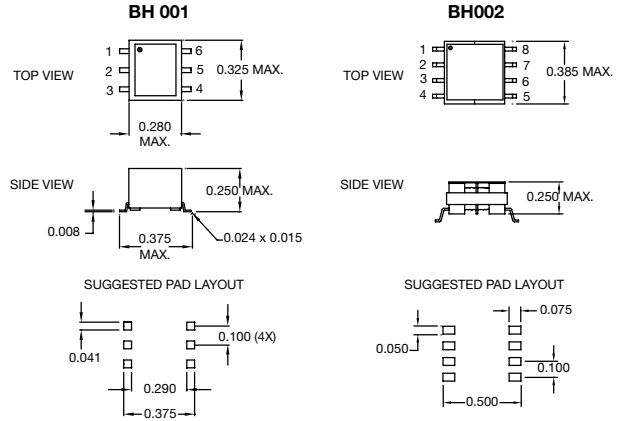
See Pages 20-22 for Standard Geometries in ranges from < 1 watt up to 100 watts



Power and Control Magnetics DC-DC Converter Transformers

Standard Geometries: < 1 Watt

• BH Electronics has a wide range of Standard Geometries to choose from. See below for designs in the <1 watt power range. • Physical size is directly related to frequency of operation and voltage isolation. • Consult BH engineering for your specific application.



Power and Control Magnetics

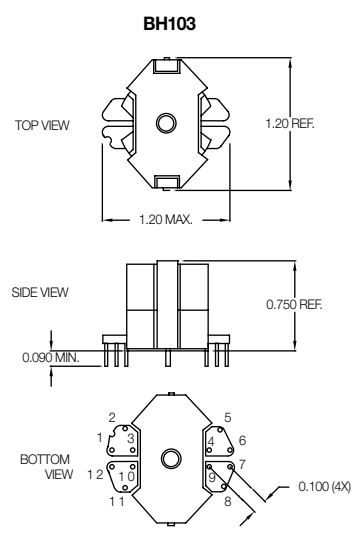
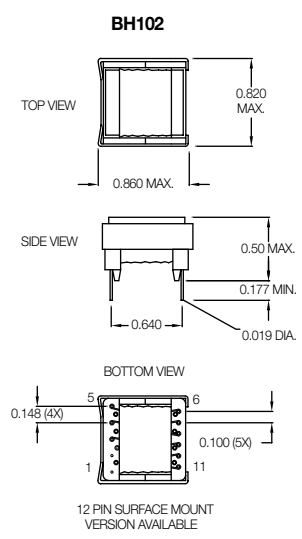
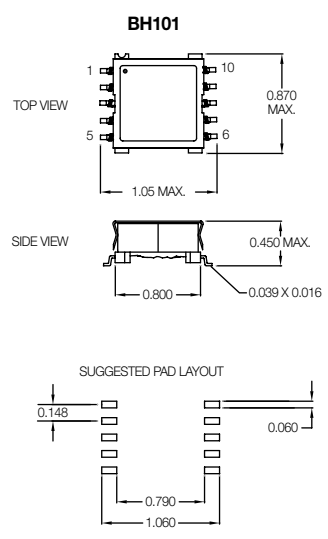
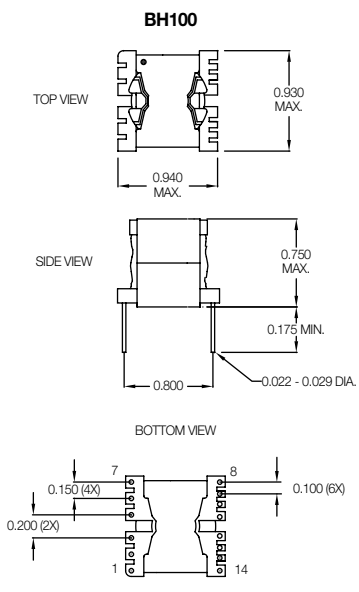
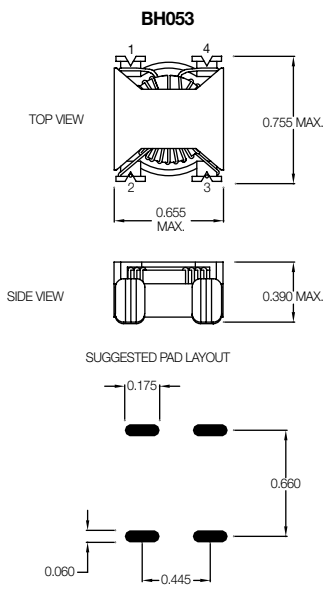
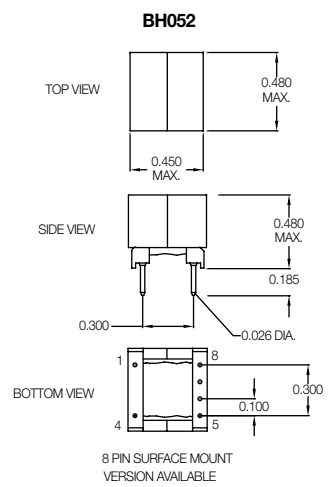
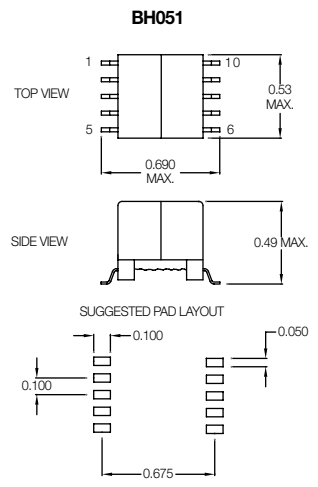
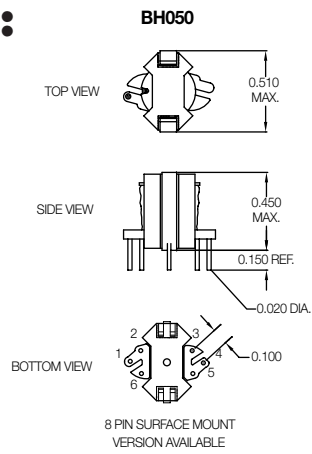
DC-DC Converter Transformers

Standard Geometries: 1 to 25 Watts

- BH Electronics has a wide range of Standard Geometries to choose from. See below for designs in the 1 to 25 watt power range.
- Physical size is an inverse relationship to frequency but a direct relationship to voltage isolation.
- Consult BH engineering for your specific application.

1

HIGH FREQUENCY POWER PRODUCTS



Power and Control Magnetics DC-DC Converter Transformers

Standard Geometries: 26 to 100 Watts

- BH Electronics has a wide range of Standard Geometries to choose from. See below for designs in the 26 to 100 watt power range.
- Physical size is directly related to frequency of operation and voltage isolation.
- Consult BH engineering for your specific application.

