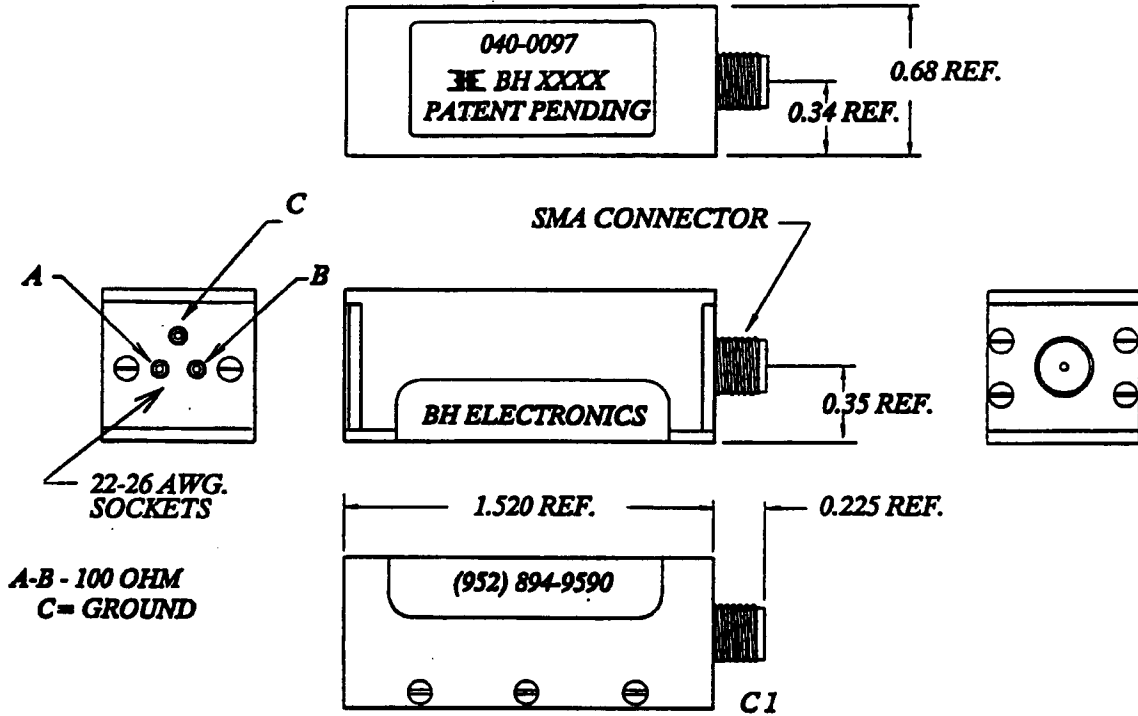
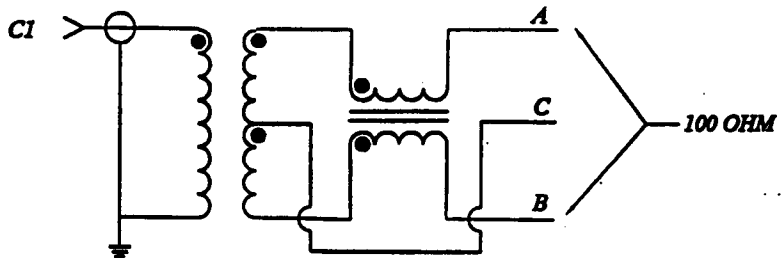


# 040-0097 50Ω:100Ω Balun



**Electrical Specifications (25 KHz - 30 MHz)**  
 PRI/SEC Impedance: 50 Ohms Unbalanced:100 Ohms Balanced  
 Insertion Loss: 1.5dB Max (2 Units Back to Back)  
 Return Loss (50:100): 20dB Min  
 Return Loss (100:50): 20dB Min  
 Common-mode Rejection: 50dB Min



**BH**® BH Electronics

12219 Wood Lake Drive Burnsville, MN 55337  
 Phone: 952-894-9590 Fax: 952-894-9380 www.bhelectronics.com