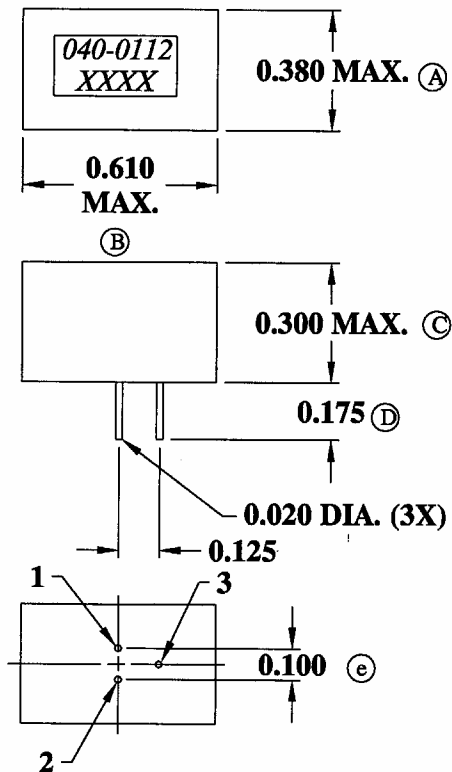


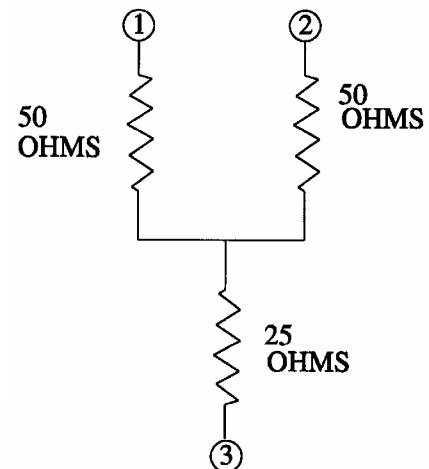
## Precision “Y” Termination Resistor

- Part Number 040-0112
- Use with Network Test Balun 040-0092 or 040-0093
- Rugged plastic case and durable gold pin construction
- DC Resistance: Between Pins 1 & 2 --  $100\Omega \pm 0.1\%$  \*  
Between Pins 1 & 3 or 2 & 3 --  $75\Omega \pm 0.1\%$  \*
- Impedance (1 to 650 MHz:): Between Pins 1 & 2 --  $100\Omega \pm 1\%$  \*  
Between Pins 1 & 3 or 2 & 3 --  $75\Omega \pm 1\%$  (1% max difference between sides) \*

### Mechanical:



### Schematic:



\* Measurements based on HP4396B Network Analyzer using HP43961A RF Impedance test kit and HP16191A Test Fixture.