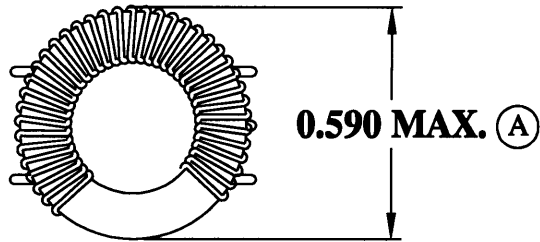
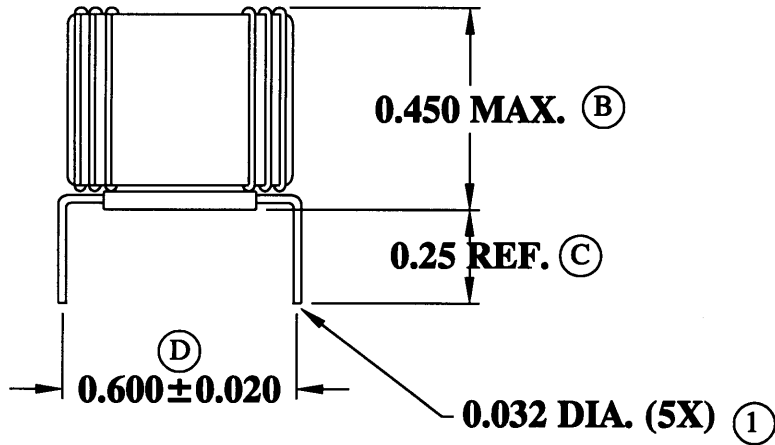


MECHANICAL



0.590 MAX. (A)

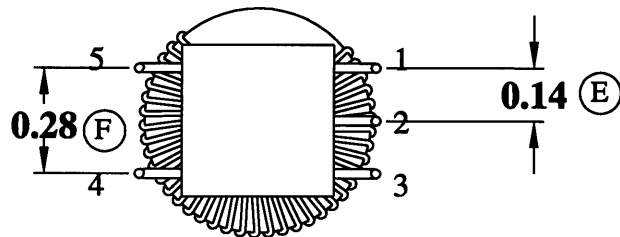


0.450 MAX. (B)

0.25 REF. (C)

0.600 ± 0.020 (D)

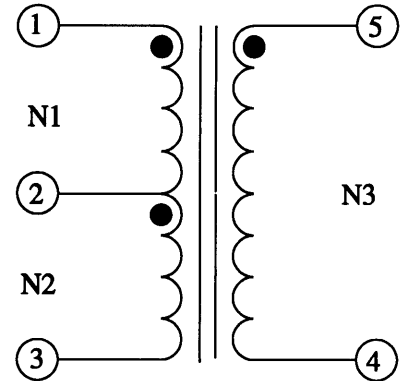
0.032 DIA. (5X) (E)



0.28 (F)

0.14 (E)

SCHEMATIC



ELECTRICAL SPECIFICATIONS

TURNS RATIO: 1CT:1

**OPEN CIRCUIT INDUCTANCE: 1mH MIN. (1-3)
1 KHz 100mV**


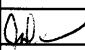
**PRIMARY LEAKAGE INDUCTANCE: 1.0667μH NOM.
(1-3 SHORT 4-5)**

INTERWINDING CAPACITANCE: 74.667pF NOM. (1-3, 4-5)

**DC RESISTANCE: 0.13 OHMS NOM. (1-3)
1.15 OHMS NOM. (4-5)**

HIGH VOLTAGE TEST: 1500 VAC / 1 SEC. (1-5)

**ET CONSTANT: 100 VμSEC. MIN.
(BIPOLAR 10 Vp-p) 1-3**

				DESIGN PER:	 BH ELECTRONICS, INC. BURNSVILLE & MARSHALL, MN © 1998 BH Electronics
				DRAWN: K. LOFTUS	
				ENGR: T. GOODRICH	TITLE: TRANSFORMER
J	10-15-02	ECR #5059 UPDATE TO CAD		UNLESS OTHERWISE SPECIFIED: DIMENSIONS IN INCHES, TOLERANCES NON-CUMULATIVE .XX±.01 .XXX±.005 PAGE 1 OF 1	PART NO. 500-1635
ISSUE	DATE	REVISION (Q6471-1)	BY		