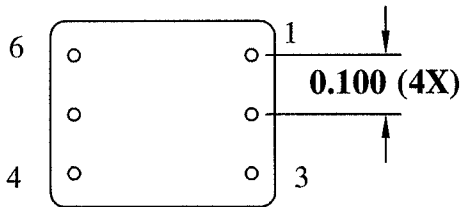
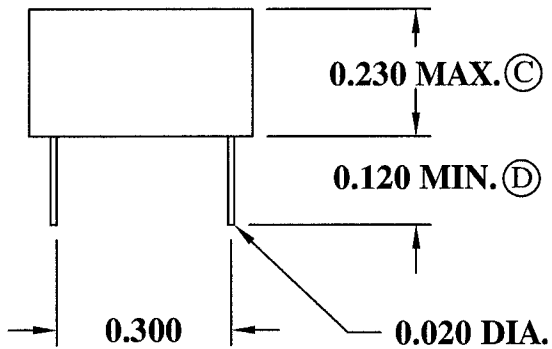
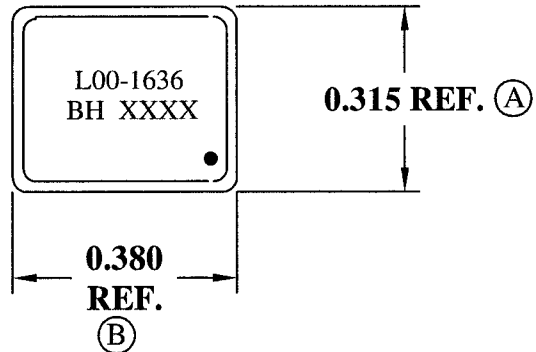
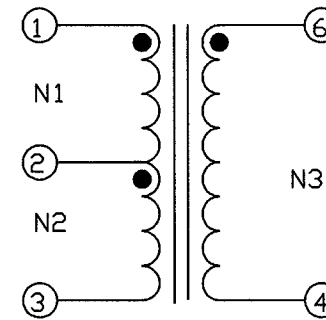



MECHANICAL



SCHEMATIC



ELECTRICAL SPECIFICATIONS
 TURNS RATIO: 1:1CT
 OPEN CIRCUIT INDUCTANCE: 500uH MIN. (1-3, 4-6)
 120 KHz 100mV
 DC RESISTANCE: 2 OHMS MAX. (1-3)
 ET CONSTANT: 30Vu SEC. MIN. (BIPOLAR)
 HIGH VOLTAGE TEST: 1800 VRMS / 1 SEC.

				DESIGN PER:		 BH ELECTRONICS, INC. BURNSVILLE & MARSHALL, MN © 1998 BH Electronics
				BH CATALOG		
				CUSTOM	NON-PROPRIETARY <input checked="" type="checkbox"/>	
				DRAWN: K. LOFTUS	ENGR: T. GOODRICH	
B	3-17-06	UPDATE ELECTRICALS	<i>gsc</i>	UNLESS OTHERWISE SPECIFIED: DIMENSIONS IN INCHES, TOLERANCES NON-CUMULATIVE .XX±.01 .XXX±.005		TITLE: TRANSFORMER
A	9-30-05	CUSTOMER PRINT	<i>JDC</i>			PART NO. L00-1636
ISSUE	DATE	REVISION	BY			PAGE 1 OF 1